

# MCX300DU & MCX300DM

## Maxi E.M.Lock



### Description

Slimline double magnetic lock.  
Surface mounting with or without monitoring as required

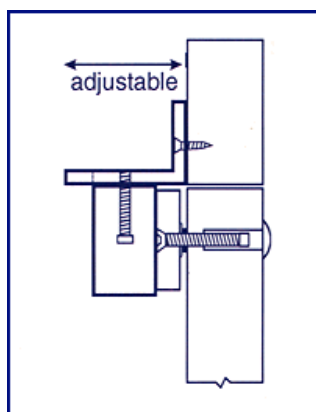
### Application

Medium Security applications for internal or external double leaf doors.

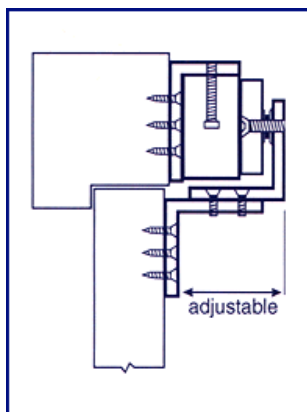
### Technical Information

Model	MCX300U	MCX300M
Input voltage	12/24V	12/24V
Current consumption (quiescent)	430mA (+/- 2.5%@13.5v) x 2	440mA (+/- 2.5%@13.5v) x 2
Holding force	241kgs (530lb) x 2 at 12v 329kgs (723lb) x 2 at 24v	241kgs (530lb) x 2 at 12v 329kgs (723lb) x 2 at 24v
Lock size (L)	500mm	500mm
Lock size (H)	47mm	47mm
Lock size (W)	26mm	26mm
Magnetic bond sensor	No	yes
Bi colour LED.	No	Yes
Door status switch	No	No
Monitored changeover	No	Yes
Mounting	surface	surface
Z & L Bracket	ZL300MCX	ZL300MCX

### Installation Drawings



L Bracket installation  
outward door installation  
**Nb/ 2 x L brackets required**



Z Bracket installation  
inward door installation  
**Nb/ 2 X Z Brackets and  
2 X L brackets required**