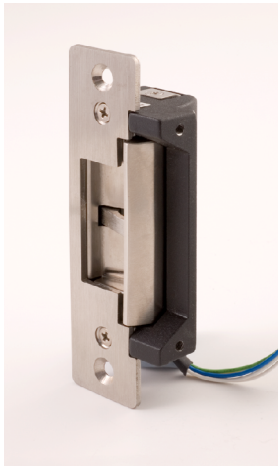


# 50097 SFP B M

## ANSI Fail safe/secure convertible strike



### Description

Adjustable strike for use in new or replacement, aluminium or hollow metal jamb installations. Auxiliary lever ramps for use with locksets (up to 16mm throw) containing dead-locking snib.

Brief mechanical adjustment allows conversion between fail safe and fail secure

### Application

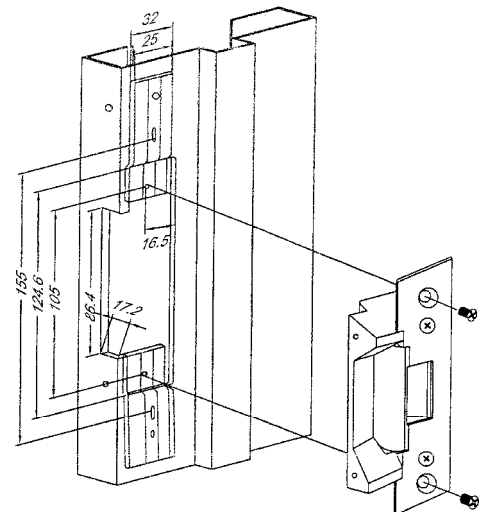
ANSI strikes can be used on wood or metal doors with narrow profile latch locks (Adams Rite etc) they can also be used in conjunction with standard mortise latch locks in many cases.

The ANSI strike jaws also provide a ramp for the deadlocking security snib of the lock.

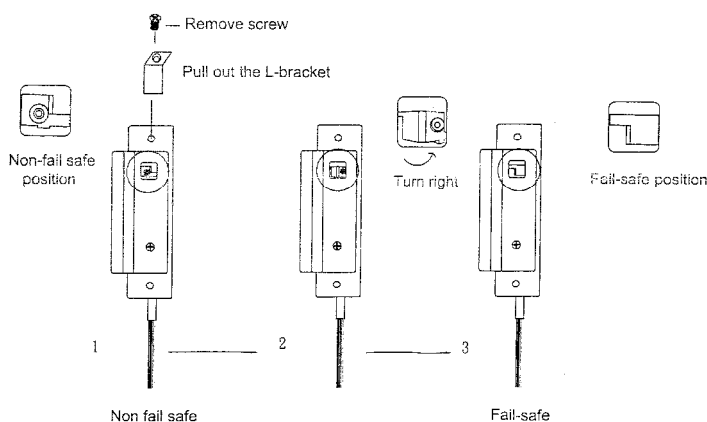
### Technical Information

Model	50097 SFP B M
Operating Voltage	12V DC
Power consumption	310mA (+/- 2.5%@13.5v)
Face Plate	124mm x 32mm x 3mm
Latch Adjustment	No
Latch Guard	Non removable
Extension lips	Available separately
Latch	Solid Cast
Fail Safe or Fail Secure	Convertible
Holding Force	500kgs
Field Adjustable	Non Handed
Cavity Depth	12mm
Cavity Width	20mm
Cavity Length	45mm
Fitting	Mortise Type – Backset 33mm
Armature	Heavy Duty
Latch Spring	Heavy Duty
Parts which are corrosion resistant	Face plate, Latch & Mechanism
Terminals	Screw – for quick connection
Finish Options	Aluminium or Powder Coated Silver
Monitoring	Yes

### PREPARATION FOR HOLLOW METAL JAMB



### ● SWITCHING FROM NON FAIL-SAFE TO FAIL-SAFE



### ● WIRING

